

PULSAFEEDER[®] ENGINEERED PRODUCTS

GLM1 – 6

PULSA[®] GLM



The Pulsa GLM series is a mechanically actuated diaphragm metering pump; designed to be reliable, robust, efficient, and compact. It features an industrial design to work in just about any application or environment. GLM is an outstanding choice for a high value chemical transfer or dosing metering pump, with low cost of ownership. This latest pump series from Pulsafeeder can handle a wide range of flows, pressures and process chemicals. It is ideal for multiple markets, including, water and wastewater treatment, power generation and petrochemical.



Applications

pH control, acids, caustics, polymers, solvents



Flow

up to 174.35 gph (660 lph) - for 60 Hz
up to 182.28 gph (690 lph) - for 50 Hz



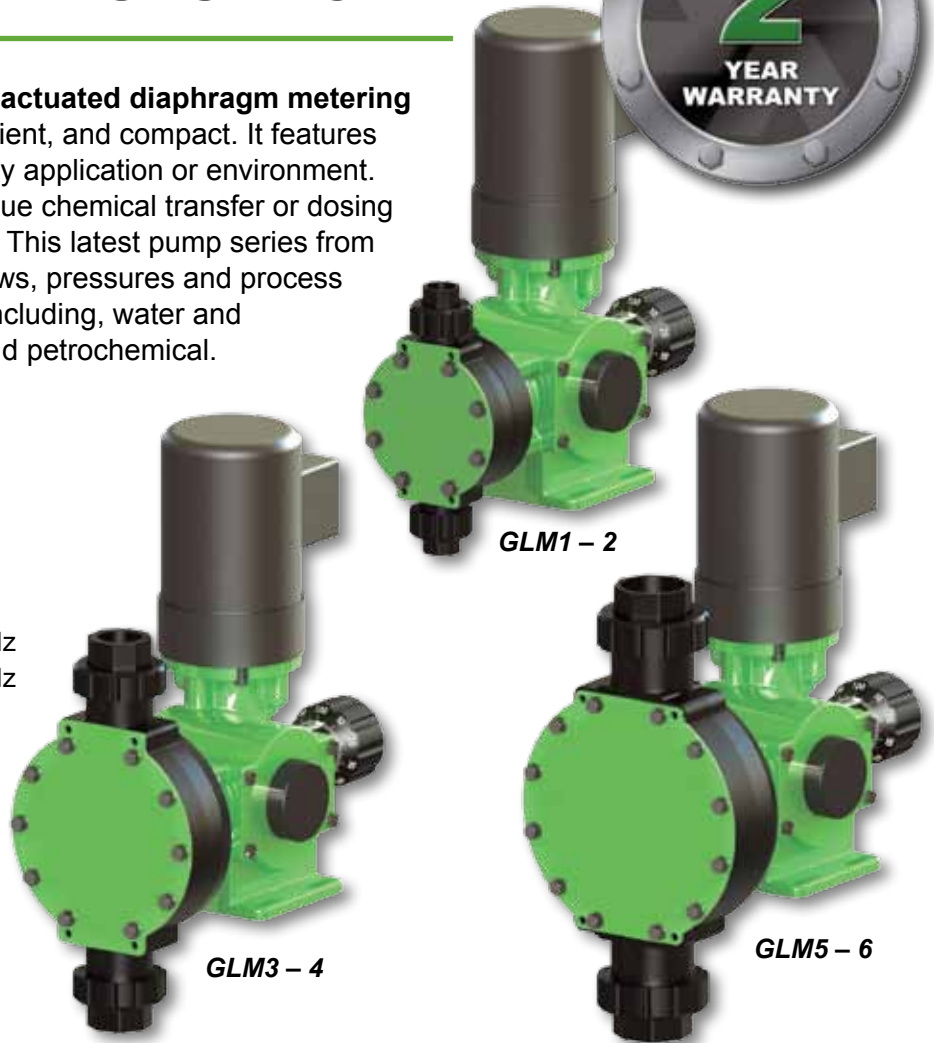
Pressure

up to 175 psi (12 bar)



Temperature

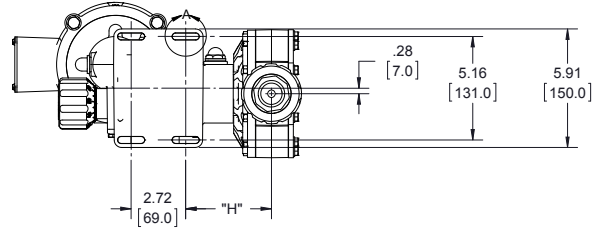
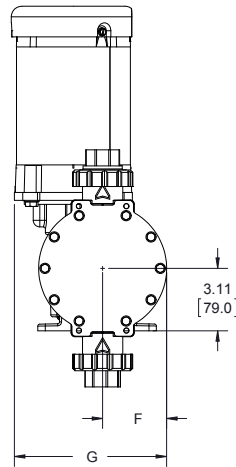
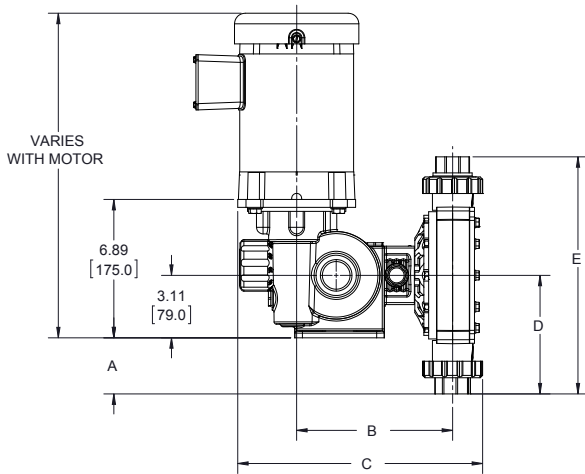
32-113°F (0-45°C)



Mechanical diaphragm metering delivers more than you expect.

Feature	Benefit	Savings
Rugged design, >20,000 hours of run life	Long pump life, low cost of ownership	\$\$\$\$\$
Auto stroke lock and adjustment	Accurate chemical dosing	\$\$\$\$
Leak free wet end with secondary sealing	Safety, no clean up or environmental risks	
Toolless valve and connection options	Fast and easy installation and servicing	\$\$\$
Multiple KOPkit [®] service options	Proper level of maintenance with minimized cost	
Corrosion resistant wet end and epoxy paint	Chemical resistant and protected from the environment	
NEMA Type 4X, IP56 gearbox with upper bearing and seal	Sealed and protected from the environment	\$\$
Oil sight glass	Quick maintenance checks	
Never-seize coupling	Allows for quick and easy removal of motor	

Dimensions



	GLM1-2	GLM3-4	GLM5-6
A	.95 / 24.0	2.80 / 71.0	3.68 / 93.5
B	7.43 / 188.6	7.77 / 197.3	7.91 / 200.8
C	11.31 / 287.2	12.20 / 309.9	12.59 / 319.9
D	4.06 / 103.0	5.91 / 150.0	6.79 / 172.5
E	8.11 / 206.1	11.81 / 300.1	13.58 / 344.9
F	2.75 / 69.8	3.75 / 95.2	4.00 / 101.6
G	7.23 / 183.6	8.30 / 210.9	8.55 / 217.2
H	3.95 / 100.4	4.27 / 108.6	4.41 / 112.1

Frame sizes 56C (IEC 71/B14)

Inches/Millimeters

Specifications

Min flow	0.317 gph (1.2 lph)
Stroke adjustment	0-100%, resolution 1.0%
Max pressure	175 psi (12 bar)
Suction lift	10 ft. (3 m)
Connections	Threaded: FNPT or FBSP
Viscosity	up to 1,000 cPs
Accuracy	±2% of set point

Model Table

Model	60 Hz		50 Hz		Pressure psi (bar)	HP (kW) Required	Connection Size
	Flow (gph)	Flow (lph)	Flow (lph)	Flow (gph)			
GLM1A	3.17	12	10	2.64	175 (12)	1/2" FNPT or FBSP 3/8" x 1/2" Tube (Plastic)	
GLM1C	4.76	18	15	3.96			
GLM2A	7.93	30	25	6.60			
GLM2C	15.85	60	50	13.21	150 (10)		
GLM2D	24.73	94	78	20.61			
GLM2E	NA	NA	80	21.13	75 (5)		
GLM3C	41.21	156	130	34.34			
GLM3D	57.06	216	180	47.55			
GLM3E	NA	NA	230	60.76	150 (10)	1" FNPT or FBSP	
GLM4B	41.21	156	130	34.34			
GLM4C	57.06	216	180	47.55			
GLM4D	72.91	276	230	60.76	100 (7)	1.5" FNPT or FBSP	
GLM5C	88.76	336	280	73.97			
GLM5D	110.95	420	350	92.46			
GLM5E	NA	NA	450	118.88	75 (5)		
GLM6C	133.14	504	420	110.95			
GLM6D	174.35	660	550	145.29			
GLM6E	NA	NA	690	182.28			

Standard Materials

- Wet end: PP, PVDF, 316SS
- Diaphragm: Composite PTFE coated Elastomer (PTFE coated on both sides)
- Aluminum housing with integral base
- Check valves: Alumina Ceramic, SS
- Head adaptors: ETFE coated
- Hardware: SS
- Lubrication: Oil bath
- Coating: Epoxy paint

For More Information, Contact Your Authorized
Pulsafeeder Engineered Products Representative



Pulsafeeder Engineered Products
2883 Brighton Henrietta Town Line Rd.
Rochester, NY 14623
Phone: +1 (585) 292-8000
pulsafeeder@idexcorp.com • pulsafeeder.com

Pulsafeeder is an ISO 9001:2008 and 14001:2004 certified company.

© Copyright 2014 Pulsafeeder. All rights reserved.

Spec Pulsafeeder.
Get more than you expect.

IDEX
FLUID & METERING