

# **PULSAFEEDER**<sup>®</sup> ENGINEERED PRODUCTS

## GLM7

## PULSA<sup>®</sup> GLM

The Pulsa GLM series is a mechanically actuated diaphragm metering pump; designed to be reliable, robust, efficient, and compact: it features an industrial design to work in just about any application or environment. If you are looking for a high value chemical transfer or dosing metering pump, with low cost of ownership, GLM is an outstanding choice. This latest pump series from Pulsafeeder can handle a wide range of flows, pressures and process chemicals. It is ideal for multiple markets, including, water and wastewater treatment, power generation and petrochemical.



### Applications

pH control, acids, caustics, polymers, solvents



### Flow

up to 824 gph (3120 lph) - 60 Hz  
up to 845.35 gph (3200 lph) - 50 Hz



### Pressure

up to 75 psi (5 bar)



### Temperature

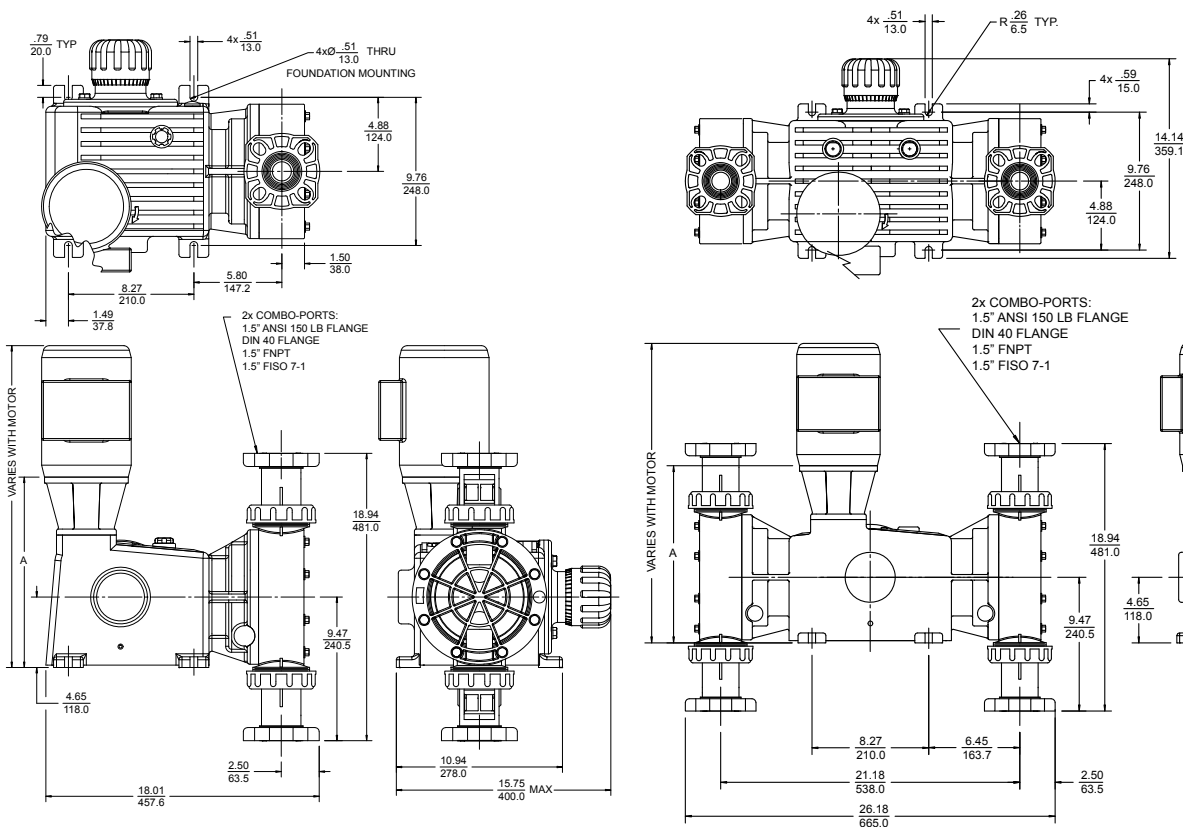
from 32-113°F (0-45°C)



## Mechanical diaphragm metering delivers more than you expect.

Feature	Benefit	Savings
Robust design; >20,000 hours of run life	Long pump life, low cost of ownership	\$\$\$\$\$
Stroke lock and adjustment	Accurate chemical dosing	\$\$\$\$
Leak free wet end and chemical resistant materials	Safety, no clean up or environmental risks	
Toolless valve and connection options	Fast and easy installation and servicing	\$\$\$
Multiple KOPkit <sup>®</sup> service options	Proper level of maintenance with minimized cost	
Epoxy painted aluminum and non-metallic construction	Chemical resistant and protected from the environment	
NEMA Type 4X, IP56 gearbox with upper bearing and seal	Sealed and protected from the environment	\$\$
Oil sight glass	Quick maintenance checks	
Close-coupled mounting	Allows for quick and easy removal of motor	

# Dimensions



FRAME	"A" DIM
90 IEC	12.6
56C NEMA	13.19
143/145TC NEMA*	13.19
<b>Weight (lbs.) 200.62</b>	

\*Duplex Only

Dimensions are in inches. Weight is approximate for shipping.

## Specifications

Min flow	224.5 gph (850 lph)
Stroke adjustment	0-100%, resolution 1.0%
Max pressure	75 psi (5 bar)
Suction lift	10 ft. (3 m)
Connections	Threaded and Flanged
Viscosity	up to 1,000 cPs
Accuracy	±2% of set point
Coating	Epoxy paint
Four bolt tie bar	
Simplex and Duplex	

## Standard Materials

- Wet end: PP, PVDF, 316SS
- Diaphragm: Solid PTFE
- Housing: Aluminum
- Check valves: Ceramic, SS
- Hardware: SS
- Lubrication: Oil bath
- Coating: Epoxy paint

## Model Table

Model	Flows gph(lph)		Pressure psi(bar)	HP (kW) Required	Connection Size
	60 Hz	50 Hz			
GLM7A	270.00(1022)	224.55(850)	75(5)	1.5(1.1)	1 1/2" FNPT, ANSI 1 1/2" Flange
GLM7B	317.00(1200)	264.17(1000)			
GLM7C	412.10(1560)	343.42(1300)			
GLM7D	N/A	422.68(1600)		2(1.5)	
GLM7H*	634.00(2400)	528.34(2000)			
GLM7J*	824.22(3120)	686.85(2600)			
GLM7K*	N/A	845.35(3200)			

\*Duplex Arrangement

For More Information, Contact Your Authorized Pulsafeeder Engineered Products Representative

**Pulsafeeder Engineered Products**  
 2883 Brighton Henrietta Town Line Rd.  
 Rochester, NY 14623  
 Phone: +1 (585) 292-8000  
 pulsa@idexcorp.com • [pulsa.com](http://pulsa.com)

Pulsafeeder is an ISO 9001:2008 and 14001:2004 certified company.

© Copyright 2014 Pulsafeeder. All rights reserved.



VISIT OUR REPRESENTATIVE LOOKUP

**Spec Pulsafeeder.**  
**Get more than you expect.**

