

VIKING GENERAL PURPOSE JACKETED UNMOUNTED PUMP

BULLETIN: EVD-HX4230S-V

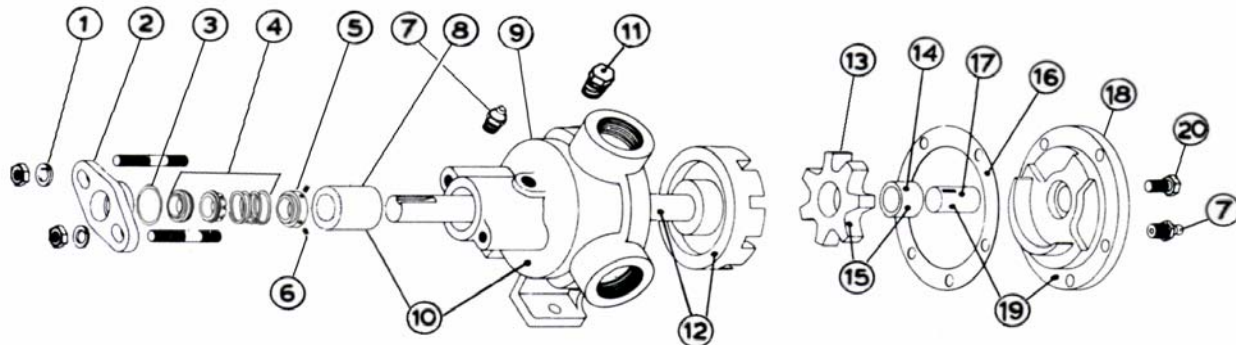
PAGE: 1

EFFECTIVE: A. 25/08/2004

MODEL HX4-230 with Mechanical Seal

Subject to change without notice
F.O.B. Factory

Supersedes all previous parts lists



ITEM	DESCRIPTION	MATERIAL	PART NUMBER	QTY	PRICE
1	Seal Seat Retainer Fasteners	5/16-18x1 3/4 Hex Cap Screw Grade 5	355-00-050-670	2	
		5/16 Lockwasher	355-00-529-660	2	
2	Seal Seat Retainer	Steel	470-02-066-310	1	
3	Seal Seat Retainer Oring	#027 Buna	360-00-300-120	1	
4	Mechanical Seal Ass'y	Buna / Carbon vs Ni-Resist / SS - BF171	335-00-065-243	1	
		Viton / Carbon vs Ni-Resist / SS - XP171	335-00-065-250	1	
5	Driving Ring	Steel	330-00-075-620	1	
6	Set Screws	3/4-20x1/4 Cup Point Socket Set Screw	355-00-271-660	2	
7	Casing and Bushing Ass'y	Steel - 1/8" NPT Straight Grease Fitting	325-00-025-605	2	
		Bronze	175-02-070-050	1	
8	Casing Bushing	Carbon	2-095-011-880-00	1	
		Iron - Jacketed - For Buna or Viton Seal	190-02-320-310	1	
9	Rotor and Shaft Ass'y	Iron / Bronze - Jacketed - For Buna or Viton Seal	Consult Factory	1	
		Iron / Carbon - Jacketed - For Buna or Viton Seal	Consult Factory	1	
10	Pipe Plug	1/8 NPT Hex Head	390-00-050-605	1	
11	Rotor and Shaft Ass'y	Iron / Steel	455-03-260-349	1	
		Ductalloy / Steel	455-03-260-139	1	
12	Idler	Iron	280-02-120-310	1	
13	Idler Bushing	Bronze	2-095-001-454-02	1	
		Carbon	2-095-011-880-02	1	
14	Idler and Bushing ass'y	Iron / Bronze	285-03-120-330	1	
		Iron / Carbon	285-03-120-332	1	
15	Head Gasket	Iron	245-00-046-240	2	
16	Idler Pin	Steel - Greasable	295-00-070-690	1	
		Steel - Non- Greasable	295-00-060-690	1	
17	Head	Iron - Plain - Non-Jacketed	2-370-400-100-00	1	
		Iron - Relief Valve	265-02-130-310	1	
18	Head and Idler Pin Ass'y	Iron - Plain / Steel - Greasable - Non-Jacketed	270-03-120-350	1	
		Iron - Relief Valve / Steel - Greasable - Non-Jacketed	270-03-130-350	1	
		Iron - Plain / Steel - Non-greasable - Non Jacketed	270-03-110-350	1	
		Iron - Relief Valve / Steel - Non-greasable - Non-Jacketed	270-03-135-350	1	
19	Head Fasteners	5/16-18x3/4 Hex Cap Screw Grade 5	355-00-035-670	5	

