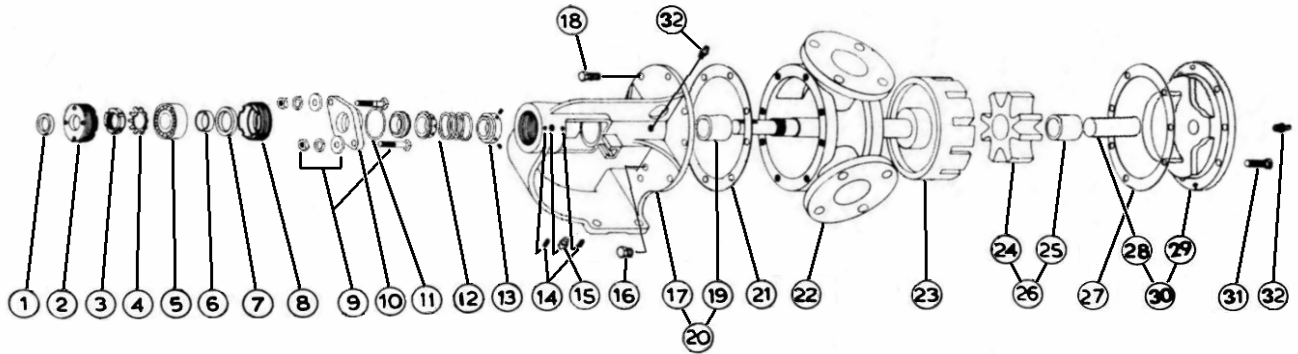


MODEL LL-124SD with Mechanical Seal

Subject to change without notice
 F.O.B. Factory

Supersedes all previous parts lists



ITEM	DESCRIPTION	MATERIAL	PART NUMBER	QTY	PRICE
1	Outer Lip Seal	Buna	195-00-175-120	1	
2	Adjusting Nut	Iron	100-02-100-310	1	
3	Locknut	Steel - Locknut N07	355-00-558-605	1	
4	Lockwasher	Lockwasher W07	355-00-550-605	1	
5	Ball bearing	Steel	2-055-021-375-00	1	
6	Bearing Spacer	Steel	490-00-100-605	1	
7	Inner Lip Seal	Buna	195-00-150-120	1	
8	Adjusting Nut	Iron	100-02-100-310	1	
9	Retainer Fasteners	3/8-16X2 1/2 Carriage Bolt	355-00-382-660	2	
		3/8" Lockwasher	355-00-532-660	2	
		3/8-16 Heavy Hex Nut	355-00-583-660	2	
10	Seal Seat Retainer	Iron - Std	470-02-212-310	1	
		Iron - PTFE Seal Only	470-02-312-310	1	
11	Retainer Oring	Viton	360-00-560-850	1	
12	Mechanical Seal Ass'y	Dura Jit Seal 1.44 Viton K-LL4625	2-477-297-999-00	1	
13	Driving Ring	Steel	330-00-125-620	1	
		1/4-20X1/4 Cup Point SS Screw	355-00-271-660	2	
12	Adjusting Nut Set Screw	1/4-28X5/16Cone Point SS Screw	355-00-280-660	2	
13	Grease Fitting	1/4-28 45 Deg. Grease Fitting	325-00-100-605	1	
16	Pipe Plug	1/8 NPT Hex Head Plug	390-00-050-605	1	
17	Bracket	Iron	165-02-595-310	1	
18	Bracket Bolt	7/16-14X1 Hex Cap Screw GR5	355-00-085-670	8	
19	Bracket Bushing	Bronze	175-02-160-050-04	1	
		Carbon	175-02-205-140	1	
20	Bracket and Bushing Ass'y	Iron / Bronze	Consult Factory	1	
		Iron / Carbon	Consult Factory	1	
21	Bracket Gasket	Standard	245-00-060-240	1	
22	Casing	Iron	190-02-860-310	1	
23	Rotor and Shaft Ass'y	Ductalloy / Steel	455-03-640-139	1	
24	Idler Gear	Iron	2-421-200-100-50	1	
25	Idler Bushing	Tungsten	2-116-052-765-04	1	
26	Idler and Bushing Ass'y	Iron / Tungsten	285-03-280-357	1	
27	Head Gasket	Standard .015	245-00-060-240	3	
28	Idler Pin	Tungsten	2-436-005-765-00	1	
29	Head	Plain	265-02-460-310	1	
		Relief Valve	265-02-470-310	1	
30	Head and Idler Pin Ass'y	Plain Head - CI/Tung - Solid	270-03-465-357	1	
		Relief Valve Head - CI/Tung - Solid	270-03-475-357	1	
31	Head Bolt	7/16-14X1 Hex Cap Screw GR5	355-00-085-670	7	
32	Grease Fitting	1/8NPT Straight w/cap Grease Fitting	325-00-050-605	2	
*	Grease Fitting (NOT SHOWN)	1/8" 15-25 PSI Grease Rel Fitting	325-00-125-605	1	
*	Male EL Tube (NOT SHOWN)	1/4NPTX3/8 TubeX90 Deg Male EL	385-00-200-030	1	
*	Male Connector (NOT SHOWN)	1/4NPTX38 Tube Male Connector	385-00-220-030	1	
*	Tubing (NOT SHOWN)	3/8" Tubing Copper	385-00-290-191	12 in.	
*	Lip Seals (NOT SHOWN)	K-LL 124SD Lip Seals 94X6211	195-00-275-120	1	