

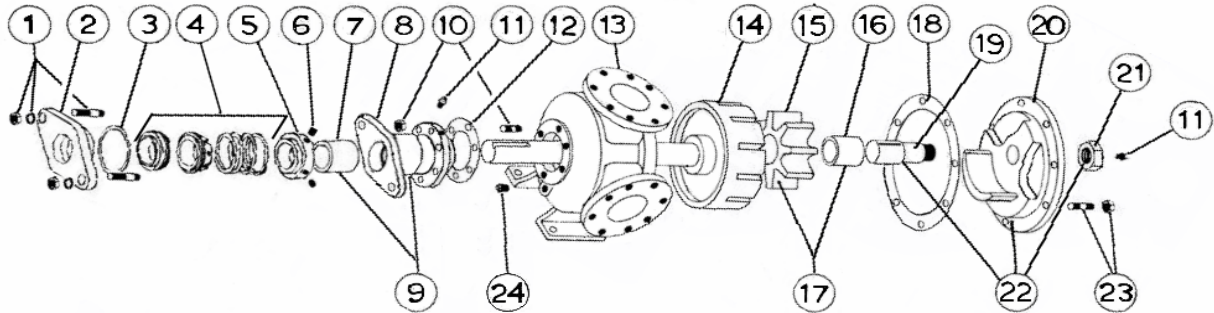
VIKING GENERAL PURPOSE JACKETED UNMOUNTED PUMP

BULLETIN: EVD-M230S-V
PAGE: 1
EFFECTIVE: 11/2015

MODEL M-230 with Mechanical Seal

Subject to change without notice
 F.O.B. Factory

Supercedes all previous parts lists



ITEM	DESCRIPTION	MATERIAL	PART NUMBER	QTY	PRICE
1	Seal Seat Retainer Fasteners	5/8-11x1 3/4 Hex Cap Screw Grade 5	355-00-146-670	2	
		5/8 Lockwasher	355-00-541-660	2	
2	Seal Seat Retainer	Steel	470-02-644-310	1	
3	Seal Seat Retainer Oring	Viton	360-00-620-850	1	
4	Mechanical Seal Ass'y	Buna	335-510-0000	1	
		Viton / Carbon vs Ceramic / SS - XP1C1	335-00-250-019	1	
5	Driving Ring	Steel	330-00-150-620	1	
6	Driving Ring Set Screws	1/4-20x1/4 Cup Point Set Screw	355-00-271-660	1	
7	RBS Bushing	Bronze	175-02-240-050	1	
		Carbon	2-123-009-880-00	1	
8	Rotor Bearing Sleeve (RBS)	Iron - Non-Jacketed - For Buna or Viton Seal	445-02-085-310	1	
		Iron - Jacketed - For Buna or Viton Seal	Consult Factory	1	
9	RBS and Bushing Ass'y	Iron / Bronze - Non-Jacketed	450-03-085-330	1	
		Iron / Carbon - Non-Jacketed	450-03-085-332	1	
		Iron / Bronze - Jacketed	Consult Factory	1	
		Iron / Carbon - Jacketed	Consult Factory	1	
10	RBS Fasteners	5/8-11x2 1/4 Hex Cap Screw Grade 5	355-00-152-670	6	
11	Grease Fitting	1/8 NPT Straight Grease Fitting	325-00-025-605	2	
12	RBS Gasket	Standard	245-00-120-240	1	
13	Casing	Iron - Jacketed	190-02-915-310	1	
14	Rotor and Shaft Ass'y	Ductalloy / Steel	455-02-735-139	1	
15	Idler	Iron	2-423-001-100-70	1	
16	Idler Bushing	Bronze	2-129-007-454-05	1	
		Carbon	2-129-009-880-05	1	
17	Idler and Bushing ass'y	Iron / Bronze	285-03-340-330	1	
		Iron / Carbon	285-03-340-332	1	
18	Head Gasket	Standard	2-314-004-806-15	3	
19	Idler Pin	Steel - Greasable	295-00-230-690	1	
		Steel - Non-greasable	295-00-240-690	1	
20	Head	Iron - RV Style - Non-Jacketed	265-02-560-310	1	
		Iron - Plain Head - Jacketed	265-02-570-310	1	
20A	Blanking Plates (not shown)	Iron - To make RV Style Head a Plain Head	160-02-125-310	2	
21	Idler Pin Nut	1 1/2 X 6 Finished Hex Jam Nut	355-00-625-660	1	
22	Head and Idler Pin Ass'y	Iron - Non-Jacketed - RV Style / Steel - Greasable	270-03-560-350	1	
		Iron - Non-Jacketed - RV Style / Steel - Non-Greasable	270-03-563-350	1	
		Iron - Jacketed - Plain Head / Steel - Greaseable	270-03-570-350	1	
		Iron - Jacketed - Plain Head / Steel - Non-Greasable	270-03-571-350	1	
23	Head Fasteners	5/8-11x2 1/2 Hex Cap Screw Grade 5	355-00-155-670	8	
24	Pipe Plug	1/4-18 Hex Head	390-00-050-605	1	