

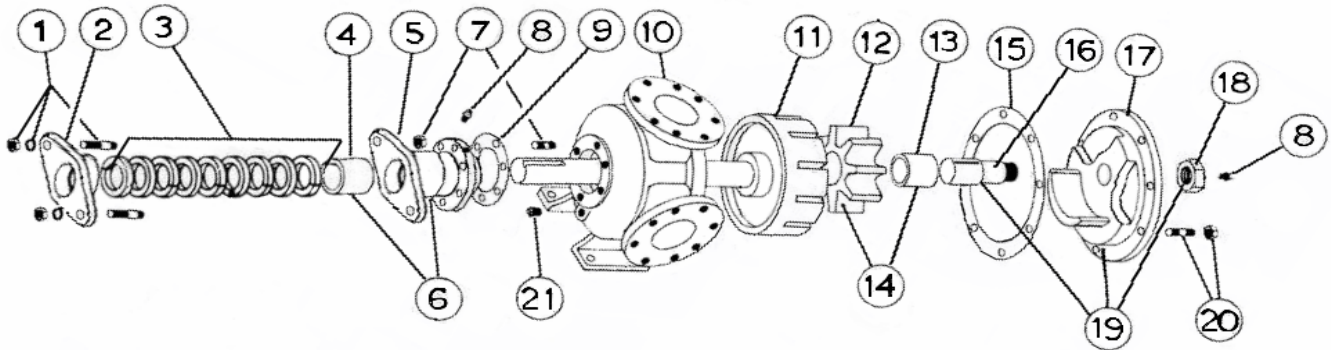
VIKING GENERAL PURPOSE JACKETED UNMOUNTED PUMP

BULLETIN: EVD-Q230P-V
PAGE: 1
EFFECTIVE: 11/2015

MODEL Q-230 with Packing

Subject to change without notice
F.O.B. Factory

Supercedes all previous parts lists



ITEM	DESCRIPTION	MATERIAL	PART NUMBER	QTY	PRICE
1	Packing Gland	Iron	2-524-020-100-00	1	
2	Packing Gland Fasteners	5/8-11x3 1/2 T11/16 N2 Stud	355-00-461-620	2	
		5/8 Flatwasher	355-00-505-660	2	
		5/8 Lockwasher	355-00-541-660	2	
		5/8-11 Heavy Hex Nut	355-00-601-660	2	
3	Packing Set	Standard - Up To 500 Deg F - C1065	365-00-700-780	1	
		High Temperature - 1625GF	365-00-700-280	1	
4	RBS Bushing	Bronze	175-02-240-050	1	
		Carbon	2-123-009-880-00	1	
5	Rotor Bearing Sleeve (RBS)	Iron - Non Jacketed	445-02-070-310	1	
		Iron - Jacketed	445-02-095-310	1	
6	RBS and Bushing Ass'y	Iron / Bronze - Non-Jacketed	450-03-070-330	1	
		Iron / Carbon - Non-Jacketed	450-03-070-332	1	
		Iron / Bronze - Jacketed	450-03-095-330	1	
		Iron / Carbon - Jacketed	450-03-095-332	1	
7	RBS Fasteners	5/8-11x2 1/4 Hex Cap Screw Grade 5	355-00-152-670	6	
8	Grease Fitting	1/8 NPT Straight Grease Fitting	325-00-025-605	2	
9	RBS Gasket	Standard	245-00-120-240	1	
10	Casing	Iron - Jacketed	190-02-885-310	1	
11	Rotor and Shaft Ass'y	Iron / Steel	455-03-690-349	1	
		Ductalloy / Steel	455-03-690-139	1	
12	Idler	Iron	2-422-001-100-70	1	
13	Idler Bushing	Bronze	2-129-007-454-05	1	
		Carbon	2-129-009-880-05	1	
14	Idler and Bushing ass'y	Iron / Bronze	285-03-320-330	1	
		Iron / Carbon	285-03-320-332	1	
15	Head Gasket	Standard	245-00-070-240	3	
16	Idler Pin	Steel - Greasable	295-00-230-690	1	
		Steel - Non-greasable	295-00-240-690	1	
17	Head	Iron - RV Style - Non-Jacketed	265-02-540-310	1	
		Iron - Plain Head - Jacketed	265-02-550-310	1	
17A	Blanking Plates (not shown)	Iron - To make RV Style Head a Plain Head	160-02-125-310	2	
18	Idler Pin Nut	1 1/2 X 6 Finished Hex Jam Nut	355-00-625-660	1	
19	Head and Idler Pin Ass'y	Iron - Non-Jacketed - RV Style / Steel - Greasable	270-03-540-350	1	
		Iron - Non-Jacketed - RV Style / Steel - Non-Greasable	270-03-545-350	1	
		Iron - Jacketed - Plain Head / Steel - Greaseable	270-03-550-350	1	
		Iron - Jacketed - Plain Head / Steel - Non-Greaseable	270-03-555-350	1	
20	Head Fasteners	5/8-11x2 1/2 Hex Cap Screw Grade 5	355-00-143-670	8	
21	Pipe Plug	1/4-18 Hex Head	390-00-125-605	3	